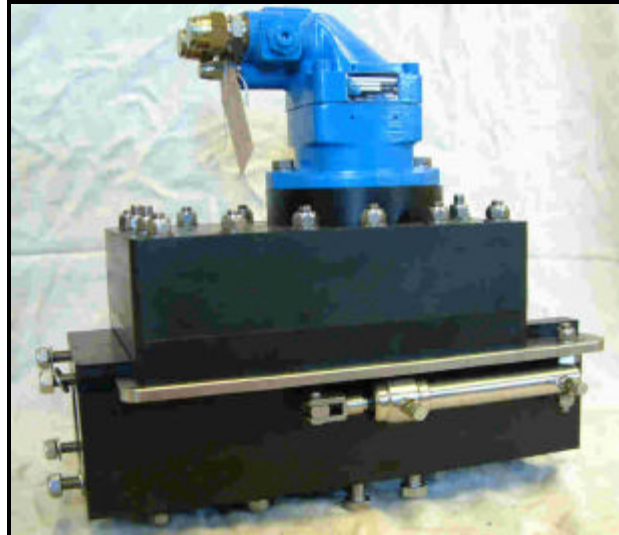


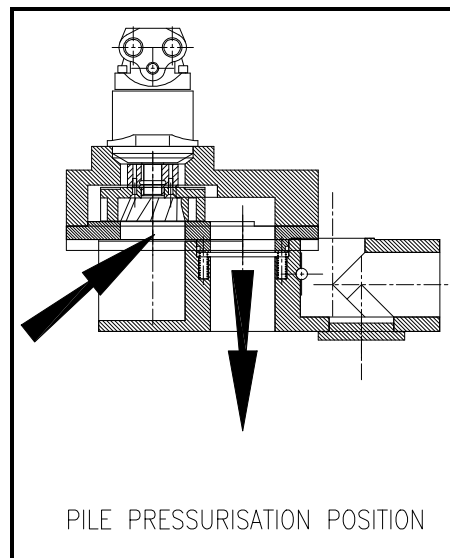
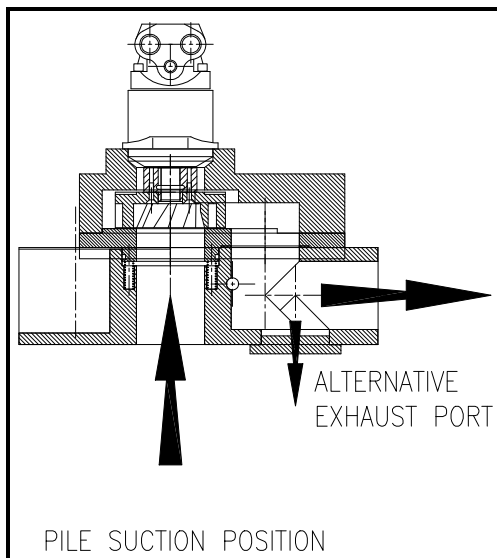
## AZ20 ROV Suction Anchor Pump

The AZ20 Suction Anchor Pump is a compact hydraulic unit configured to work from modern high power Work class ROVs.

The construction of the pump makes maximum use of modern engineering plastics to minimise both the "in air" and "in water" weights.



The pump body is configured to be its own sliding directional valve so that suction or positive pressure can be applied to the pile as required. This permits a single stab connection to the pile and removes the need for directional control pipework and valves to be added to the ROV skid. Directional control is achieved by two linear hydraulic actuator cylinders.



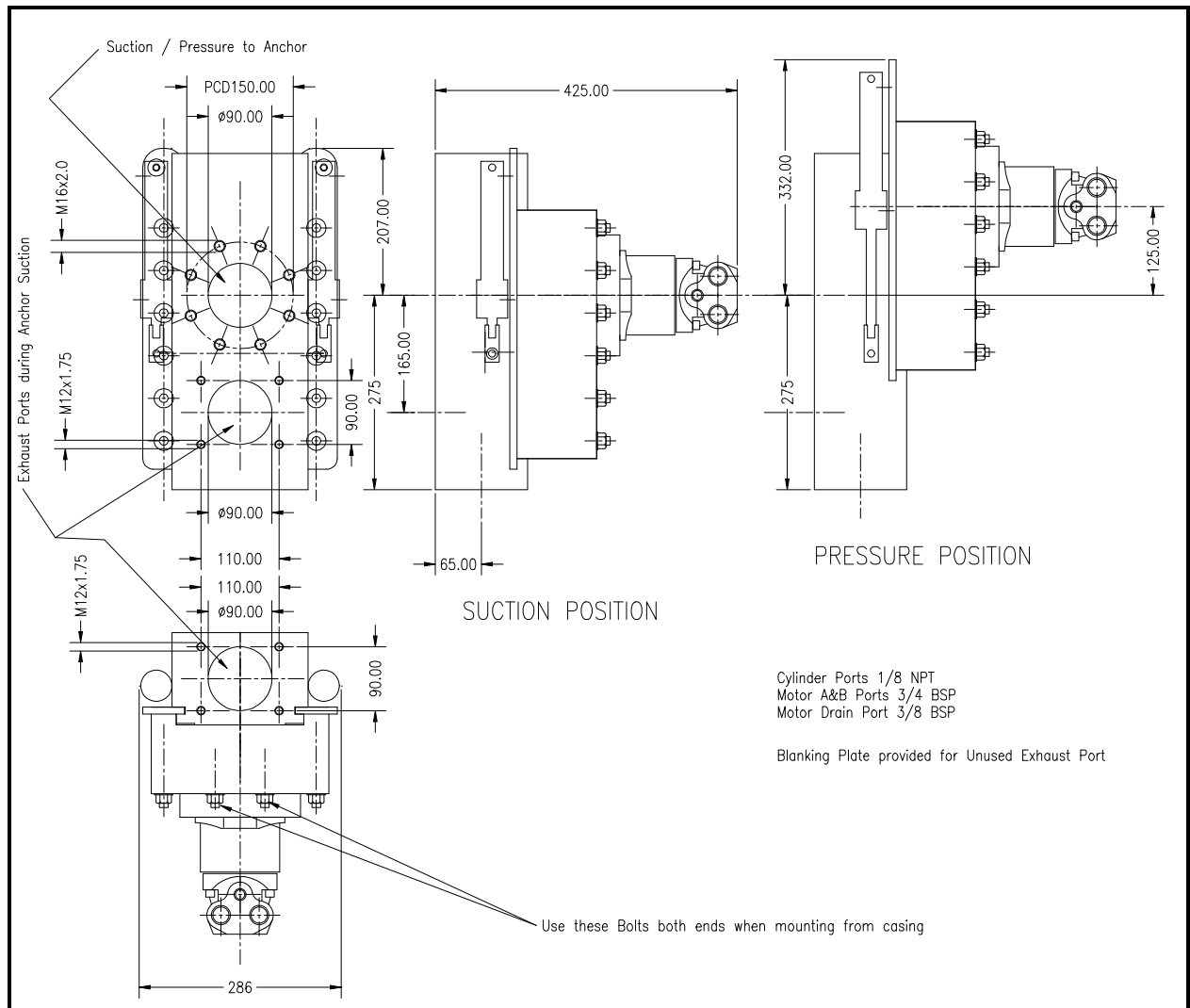
The pump body exhaust ports permit an exhaust hose to be connected to allow dirty water from inside the pile to be discharged away from the ROV to preserve camera visibility.

Specifications are subject to change due to a policy of continuous improvement.  
Please confirm current build standard at time of order.

©2004 Advanced Marine Innovation Technology Subsea Ltd.

## AZ20 Profile

The installation envelope profile is given below and include the profiles in both pile suction and pile pressurisation positions.



### Connections

Motor A&B 3/4" BSP - 12JIC  
 Motor Drain 3/8" BSP - 6JIC  
 Valve Actuator 1/8" NPT - 4JIC

### Performance

Water Flow up to 185 m<sup>3</sup> /hr at 5 bar  
 Pressure up to 9 bar at 10 m<sup>3</sup> /hr  
 Note: controlled by hydraulic flow/pressure

### Hydraulic Input

Flow 60 to 145 l/min  
 Pressure Max 250 bar

### Physical Properties

Dimensions 485mm x 425mm x 286mm  
 In air weight 38 kg  
 In water weight 21 kg

Specifications are subject to change due to a policy of continuous improvement.  
 Please confirm current build standard at time of order.

©2004 Advanced Marine Innovation Technology Subsea Ltd.

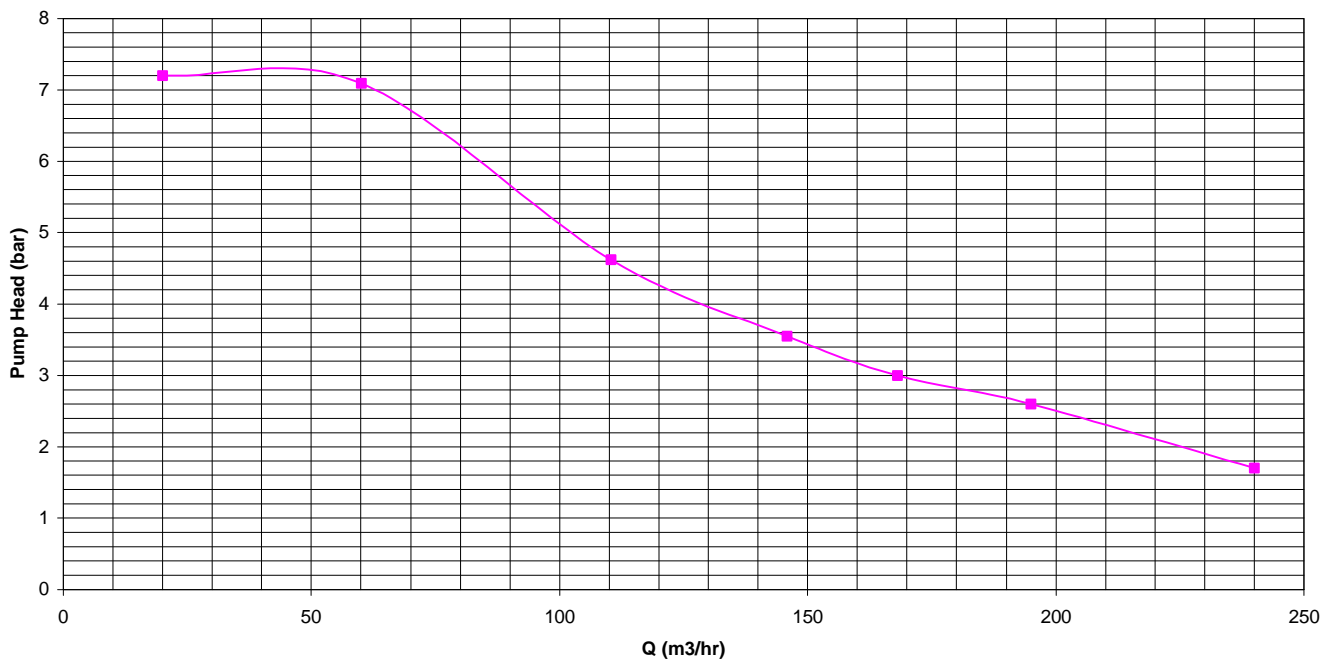
## Nominal Performance

The pump can operate with hydraulic supplies from 60 l/min up to 145 l/min with pressures up to 250 bar. The higher the flow rate the higher the performance. The pump is controlled down from max performance to match pile setting parameters by controlling the hydraulic supply.

For information purposes the graph below gives a performance curve for an intermediate hydraulic supply of 95 l/min at 200 bar.

We can provide performance curves for individual applications.

**AZ20 Performance**  
**95 l/min 200 bar supply**  
**145-166 Impeller**



## Optmisation

There are a range of impellers available to permit the pump to be configured for optimum performance on any given ROV for particular pile setting parameters. The configuration should be confirmed at time of order. The maximum performance depends upon the maximum hydraulic flow and pressure available from the ROV and the pump impeller configuration.

We work closely with our customers to provide optimum solutions.